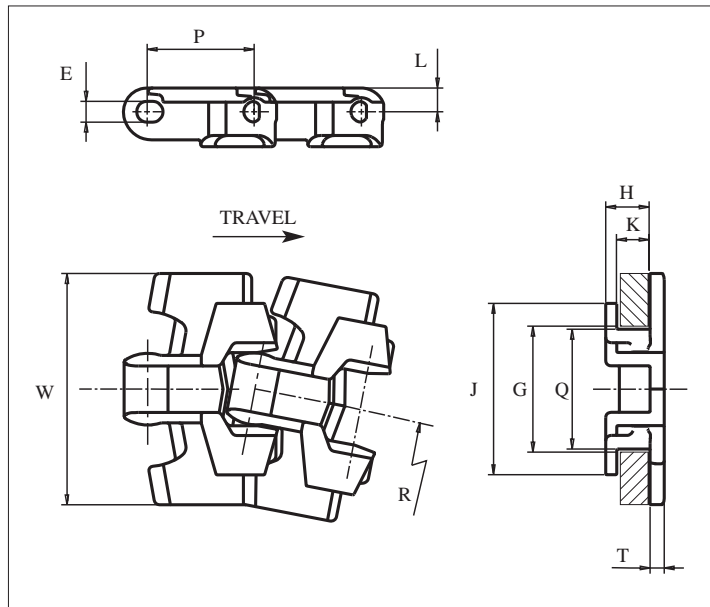


The uni 879 TAB Safety has less open areas in both straight and curved sections which reduce the risk of fingers, loose clothing etc. getting caught.
At the same time uni 879 TAB Safety ensures improved stability of conveyed items.
uni 879 TAB Safety will run in standard curves/tracks.



	mm	in.		mm	in.
E	7.1	0.28	L	8.5	0.33
G	44.5	1.75	P	38.1	1.50
H	15.9	0.63	Q	43.1	1.70
J	61.5	2.42	T	5.0	0.20
K	11.9	0.47	-	-	-

All dimensions are for POM-chains.

Items with **bolded** uni reference numbers are standard.

Items with uni reference numbers in *italic* are available on a made-to-order basis.

	uni reference no.	width W		weight		min. radius R	
	POM-LFI	mm	in.	kg/m	lb/ft	mm	in.
uni 879 TAB-SC-K325	34LFI879TSK325	82.6	3.25	1.0	0.67	200	7.87
uni 879 TAB-SC-K450	<i>34LFI879TSK450</i>	114.3	4.50	1.2	0.81	200	7.87

uni 879 TAB Safety Special Chains • Plastic



Side flexing



38.1 mm (1.50 in.)



See page 14



SS304 See page 13



75 mm (3 in.)



See page 108



See page 115



See page 118



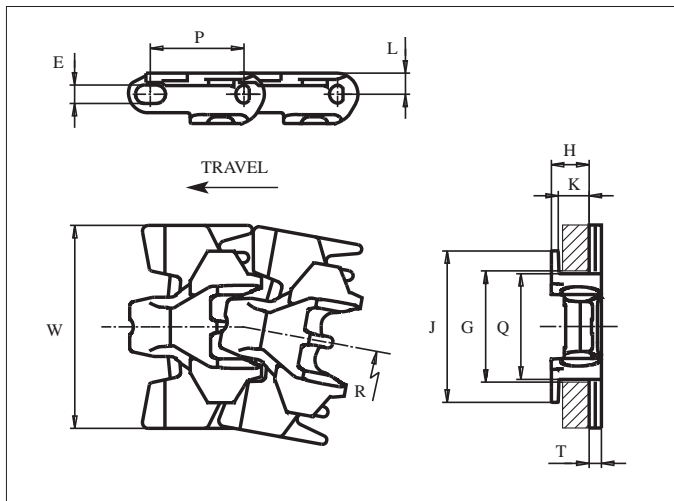
3,048 m = 10 ft
No. of links/box: 80



POM: 2250 N (506 lbf)



uni 879 TAB Safety Finger for finger safety. The max. size of the openings between the links of 13.0 x 6.0 mm (0.52 x 0.24 in.) improves finger safety as well as support and stability of the conveyed products, including around the center hinge. uni 879 TAB Safety Finger will run in standard curves/tracks.




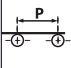


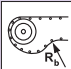



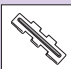

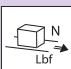
	mm	in.		mm	in.
E	7.1	0.28	L	8.5	0.33
G	44.5	1.75	P	38.1	1.50
H	15.9	0.63	Q	43.1	1.70
J	61.5	2.42	T	5.0	0.20
K	11.9	0.47	-	-	-

All dimensions are for POM-chains.

Items with **bolded** uni reference numbers are standard. Items with uni reference numbers in *italic* are available on a made-to-order basis.

	uni reference no.	width W		weight		min. radius R	
	POM-DI	mm	in.	kg/m	lb/ft	mm	in.
uni 879 TAB-SF-K325	34DI879TSFK325W	82.6	3.25	1.0	0.67	200	7.87

uni 879 TAB Safety Finger Special Chains • Plastic

-  Side flexing
-  38.1 mm (1.50 in.)
-  See page 14
-  **SS304** See page 13
-  90 mm (3.5 in.)
-  See page 108
-  See page 115
-  See page 118
-  See page 97
-  3,048 m = 10 ft
No. of links/box: 80
-  POM: 2250 N (506 lbf)